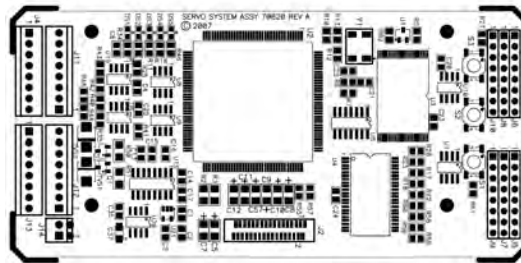
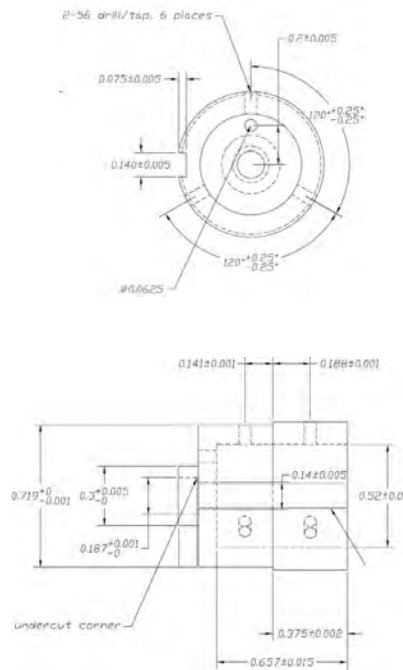


Our Services:

Denmark Manufacturing is an integrated contract manufacturer specializing in printed circuit board assembly using Thru-Hole and SMT technology. We have in-house capabilities for electronic and mechanical assembly. This allows us to provide a wide range of solutions to fit your mixed assembly needs.

- Thru-Hole & SMT Technology
- Electromechanical Assemblies
- Cable and Harness Assemblies
- Mechanical fixtures
- Electrical enclosures
- Control Panels



Denmark Manufacturing Inc
10700 Corporate Drive, #110
Stafford, TX 77477

Phone: (281) 494-1527
Fax: (281) 494-2640

www.denmarkmanufacturing.com

Denmark Manufacturing Inc

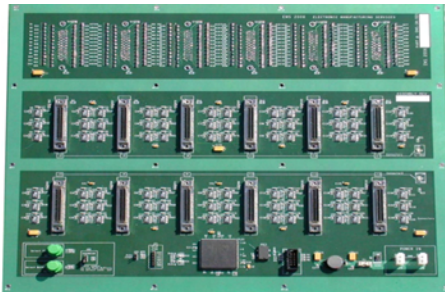
Your partner for turnkey
contract manufacturing



Circuit Board Assembly and Electromechanical projects

Denmark Manufacturing is your dependable source for full service PCB assemblies. Our capable team provides you with high quality and fast turnaround.

- Quick turn for prototypes
- Most economical pricing for your cost saving programs
- Customer kit or turnkey
- Procurement from your approved source
- Well trained staff gives you timely feedback
- Quotes based on real costs
- Reflow/wave soldering
- Packaging assembly including encapsulation, metal and plastic housing finishing
- Assemble motorized actuators and automation equipment



Cable Harnesses & Assemblies

We can make wire harnesses with various types and sizes of wire, solder, crimp type terminals, and pins, assembled to your specs.

Our cable & harness include:

- Power supply harnesses
- Electromechanical wire harnesses
- Custom spec cables and harnesses
- Cut, strip, terminate, shrink wrap, solder & twist



Control Panels

We offer turn-key fabrication of control panels for PLCs motor controllers, relay racks, sensor concentrators, patch panels, and touch screen interfaces. We can manufacture control panels to your specifications or design complete systems for you using our in-house engineering resources.



CNC Milling and Turning

Our CNC Milling and Turning capabilities enable us to provide our clients with precision parts and assemblies on time and within budget.

Our equipment includes a new Haas VF-3 5 Axis VMC and a Haas SL30 CNC Turning Center with automatic tool changers. By making parts for your assembly in-house we can meet your tight schedules, cost and quality needs.

